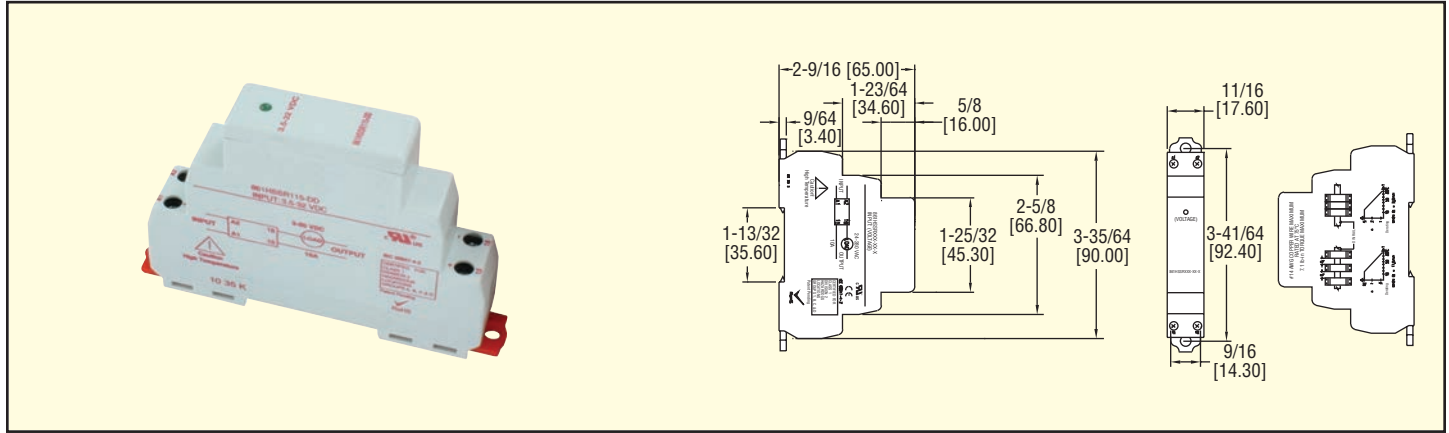




Series  
861H

# Hazardous Rated Solid State Relays

15 Amp Rating, SPST-NO, Internal Heat Sink



The Series 861H Hazardous Rated Solid State Relay provides reliable switching and long life operation in some of the most demanding applications, such as medical equipment, mining, oil and gas. It integrates an internal heat sink and internal snubber into a compact housing to save space in the panel. In order to reduce installation time, integral tabs can be used to snap the relay onto a DIN rail or surface mount to a wall inside the panel. LED indicator lights give the user quick visual indication of the switch status. The 861H is intrinsically safe rated for Class 1, Division 2 Groups A, B, C and D.

Model	Input Voltage	Load Voltage	Rated Current
861HSSR210-AC-1	90 to 280 VAC	24 to 280 VAC	10 amp
861HSSR210-DC-1	3 to 32 VDC	24 to 280 VAC	10 amp
861HSSR115-DD	3.5 to 32 VDC	3 to 50 VDC	15 amp

## SPECIFICATIONS

**Electrical Connection:** Screw terminals.

**Switching Operation:** SPST normally open.

**Switching Type:** AC/DC: Zero cross; DD: DC switching.

**Temperature Limits:**

Storage: -40 to 212°F (-40 to 100°C);

Operation: -22 to 176°F (-30 to 80°C).

**Voltage Loss:** AC/DC: 1.6 VAC max; DD: 0.5 VDC max.

**Output Leakage Current:** AC/DC: 10 mA max; DD: 0.25 mA max.

**Housing:** Polycarbonate.

**Hazardous Classification:** Class 1 Division 2; Hazardous Locations: Groups A, B, C and D.

**Weight:** 4.1 oz (127.1 g).

**Agency Approvals:** RoHS, cUR, UR.